

# Technical data sheet

## Product features



### Pasta cooker

**Model**

**SAP Code**

00008183



- Basin volume [l]: 2 x 23
- Water inlet: mechanical tap
- Drain type: Trough the cabinet
- Safety drain: Yes
- Material: AISI 304 top plate and cladding
- Protection of controls: IP24
- Maximum device temperature [°C]: 110
- Number of baskets: 2

<b>SAP Code</b>	00008183	<b>Power electric [kW]</b>	15.000
<b>Net Width [mm]</b>	800	<b>Loading</b>	400 V / 3N - 50 Hz
<b>Net Depth [mm]</b>	730	<b>Basin volume [l]</b>	2 x 23
<b>Net Height [mm]</b>	900	<b>Number of baskets</b>	2
<b>Net Weight [kg]</b>	74.90		

# Technical data sheet

Technical drawing

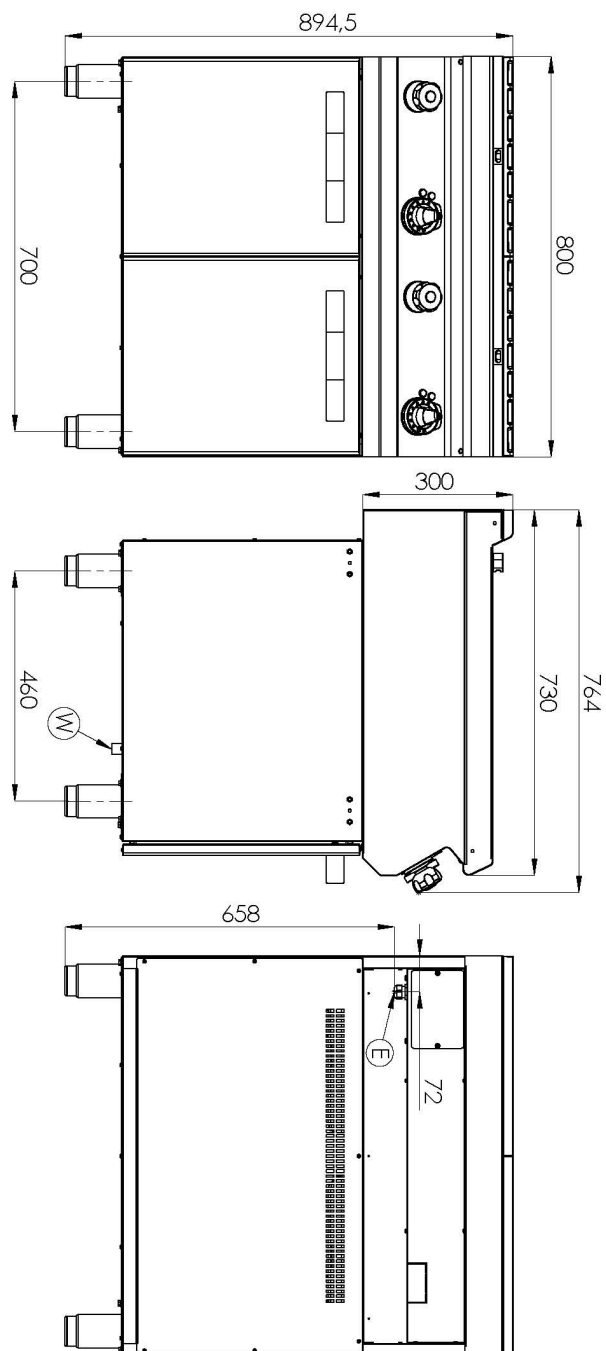


Pasta cooker

Model

SAP Code

00008183



# Technical data sheet

Technical parameters



## Pasta cooker

**Model**

**SAP Code**

00008183

**1. SAP Code:**

00008183

**2. Net Width [mm]:**

800

**3. Net Depth [mm]:**

730

**4. Net Height [mm]:**

900

**5. Net Weight [kg]:**

74.90

**6. Gross Width [mm]:**

840

**7. Gross depth [mm]:**

800

**8. Gross Height [mm]:**

1080

**9. Gross Weight [kg]:**

85.00

**10. Device type:**

Electric unit

**11. Construction type of device:**

Stationary

**12. Power electric [kW]:**

15.000

**13. Loading:**

400 V / 3N - 50 Hz

**14. Protection of controls:**

IP24

**15. Exterior color of the device:**

Stainless steel

**16. Material:**

AISI 304 top plate and cladding

**17. Worktop type:**

Molded - comfortable cleaning maintenance

**18. Worktop material:**

AISI 304

**19. Surface finish:**

polished stainless steel

**20. Basin volume [l]:**

2 x 23

**21. Basin dimensions [mm x mm x mm]:**

2 x 340 x 306 x 329

**22. Volume capacity of the container [l]:**

23.00

**23. Maximum device temperature [°C]:**

110

**24. Minimum device temperature [°C]:**

30

**25. Service accessibility:**

Trough the frontal panel

**26. Safety thermostat:**

Yes

**27. Adjustable feet:**

Yes

**28. Additional information:**

Baskets are not part of the delivery - can be purchased additionally

# Technical data sheet

Technical parameters



## Pasta cooker

Model

SAP Code

00008183

### 29. Heating element material:

Incoloy

### 30. Number of baskets:

2

### 31. False bottom:

Yes

### 32. Number of basins:

2

### 33. Basin material:

AISI 316 - Stainless steel highly resistant to salt water

### 34. Water inlet:

mechanical tap

### 35. Drain type:

Trough the cabinet

### 36. Safety drain:

Yes

### 37. Drain connection:

Yes

### 38. Heating location:

Inside the tank

### 39. Cross-section of conductors CU [mm<sup>2</sup>]:

4

– Výkon (kW): 30-37 (230 V); 53-64 (400 V)